

High definition video enhancers from Greentel – Full HD capable, comes in HD-SDI or DVI connection type

HVS-100 (Full HD / HD-SDI)



HVD-100 (Full HD / DVI)



Notable Features:

- Auto fog mode – automatically selects 256 filter levels depending on the fog density to provide optimal fog removal
- High-performance FPGA solution with exclusive HD level fog removal algorithm
- Auto low light mode – automatically senses and corrects low light (night) image
- 3D noise reduction filter provides maximum noise removal for clearest image

Key Strengths

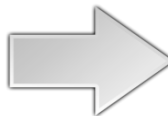
High-Performance FPGA Solution with Exclusive Fog Removal Algorithm

High-performance FPGA solution using exclusive fog removal algorithm with results far superior to the software-based method of simply adjusting the contrast or color curve to remove fog or to ASIC devices that apply simple Gamma correction algorithms.

3D Noise Reduction

2D noise reduction results in data loss of the original image and is a cause of reduced image quality, but 3D noise reduction technology removes only noise without loss of image data.

Original

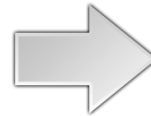


After
3DNR

WDR Function

WDR function support improves visibility by correcting images with backlighting and high contrast level.

Original



After WDR

Additional Functions

Auto Fog Mode

- Automatically senses the presence and density of fog and makes corrections to provide the clearest image.

Auto Low Light Mode

- Automatically calculates the degree of darkness from the video data and makes low-light (night) image corrections without the use of external low-light sensors.

Color Recovery

- Analyzes the color data from images with murky colors caused by fog, snow, rain and yellow dust and restores them to clear colors.

Examples of Use



Dam Gate



Apartment Complex

Examples of Use



Airport



Sea Port

Examples of Use

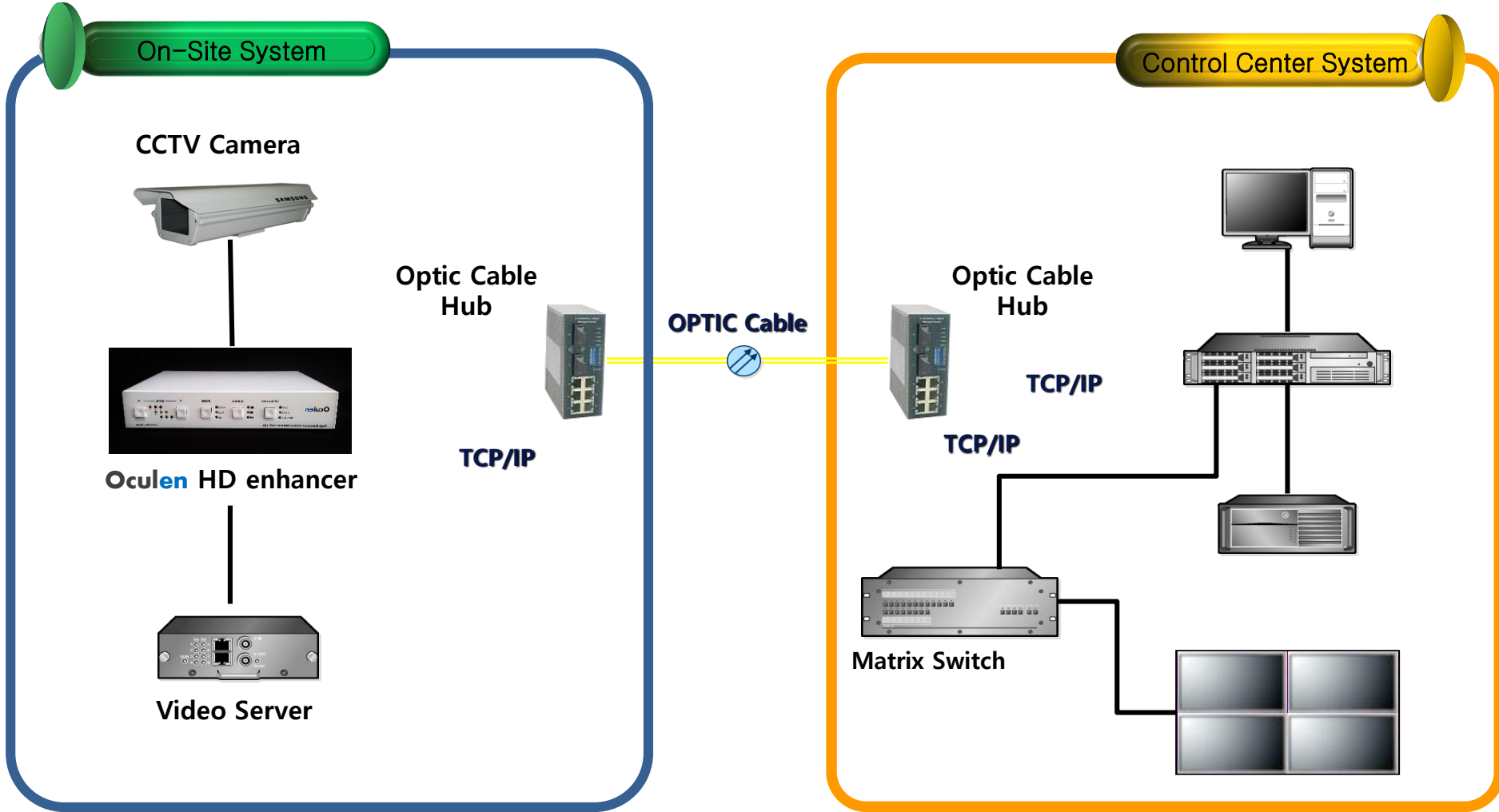


Shaded Area



Night Scene

System Setup





Specifications

Type	Stand Alone, 1 Channel
Video input	HD-SDI 75Ω BNC / DVI
Video output	HD-SDI 75Ω BNC / DVI
In/Out resolution	720P30, 720P60 720P25, 720P50 1080i60 1080i50 1080P30 1080P25
Operation temperature	0~60°C (32~140°F)
Operation humidity	0% ~80% (Non-condensing)
Power	DC12V/1.5A
Size	200(W) x 125(D) x 44(H) mm
Case material	Aluminum + Steel